



Evoking the breathtaking beauty and ancient maritime tradition of the northern Italian town for which it is named, the Riva® is true to form—an elegant classic. And truly versatile—at home in both traditional and more contemporary interior design.

FEATURES:

- Exclusive 360° Balanced Airflow™ system
- 600 watt variable speed heated air blower
- Thermal Lumbar Comfort™ (TLC)
- Timed purge cycle
- Safely use salts and aromatic oils
- PrO₃™ Ozone Sanitation System standard



The Jacuzzi Magic Touch® control system makes customizing your bath easy.

Riva® 6
PURE AIR® II BATH

MODEL NUMBER:
EA40 (Left-hand)

EXTERIOR DIMENSIONS:
72" long x 42" wide x
20½" high

INTERIOR DIMENSIONS:
50" long x 28" wide

OPERATING GALLONS:
67 gallons





Riva® 6 PURE AIR® II BATH

EA40 Riva® 6 Pure Air® II Bath, Left Hand

- Left Hand Drain Location
- Accessories / Hardware:
 - Trip-Lever Drain Kit: #X559
 - Rotary Drain Kit, 26" Cable: #8730
- Trim Kit Finishes Available:
 - (827) – Chrome
 - (898) – Brushed Chrome
 - (815) – Satin Nickel
 - (829) – Bright Brass
 - (805) – Platinum
 - (826) – Brushed Nickel
 - (849) – Oil Rubbed Bronze

INSTALLATION NOTES

Refer to installation instructions included with fixture before beginning installation. Please confirm product availability and specifications before commencing with any installation work.

PRODUCT SPECIFICATIONS AND AVAILABILITY ARE SUBJECT TO CHANGE WITHOUT NOTICE.

Technical Specifications

DIMENSIONS

72" L x 42" W x 20-1/2" H
(1829 mm) L x (1067 mm) W x (521 mm) H

DRAIN/OVERFLOW

A: 16" (406 mm) B: 11-1/2" (292 mm)

CUTOUT

Template Provided Part Number: P186000

TOTAL WEIGHT

1021.4 lb (464 kg) / 48.9 lb/ft² (238 kg/m²)

OPERATING GALLONAGE

67 U.S. Gal. (254 Liters)
Min. 56 U.S. Gal. (212 Liters)
Max. 77 U.S. Gal. (292 Liters)

PRODUCT WEIGHT

130 lb (59 kg)

SKIRT MOUNTING

Not Available

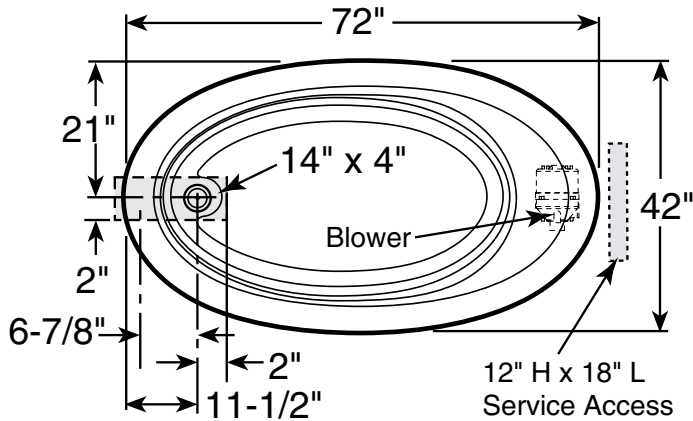
ELECTRICAL SPECIFICATIONS

Requires a dedicated GFCI protected separate circuit.

Blower: 120 VAC, 15 AMP, 60 Hz.

HEATER

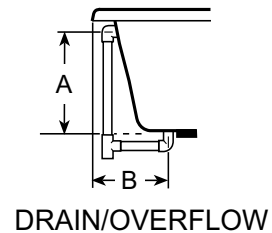
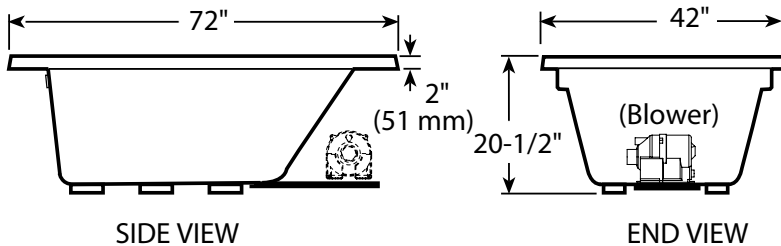
No water heater is available on this unit. Blower has integral air heater.



**Product Shown: Riva® 6 Pure Air® II Bath
Left Hand Shown Model: EA40**

** Measurements inside unit represent cutout in floor to allow for drain/overflow.*

Minimum Service Access dimensions given.



RIVA® 6, LEFT HAND AIR BATH